

# RESPIRO 900

de Philippe Nigro

## FICHE TECHNIQUE

## TECHNICAL SHEET



SUSPENSION

CEILING LAMP

**Matériaux** **Aluminium anodisé**  
Material Anodized aluminum

**Poids** **5 kg**  
Weight

**Dimensions** **150 × 170 × 900 mm**  
Main dimensions

**Dimensions emballage** **1010 × 260 × 250 mm**  
Packaging dimensions

**Classe** **1**  
Class

**Type d'ampoule** **LED intégrée**  
Bulb type LED integrated

**Maximum watt** **34 W**  
Watt max

**Tension** **230V**  
Voltage

**IP** **20**  
IP

**Durée de vie LED** **> 50 000 heures**  
Lifespan of LED > 50 000 hours

**Température de couleur** **2700 K**  
Color Temperature

**Lumens** **3400 Lm**  
Lumens

**Efficacité** **100 Lm/W**  
Efficiency

**Gradable** **TRIAC**  
Dimmable

**Driver** **Letaron 18-49V 700mA**  
Driver

**IRC** **85**  
CRI

### FINITIONS

### FINISHES



**Black — Gold**  
Noir — Or

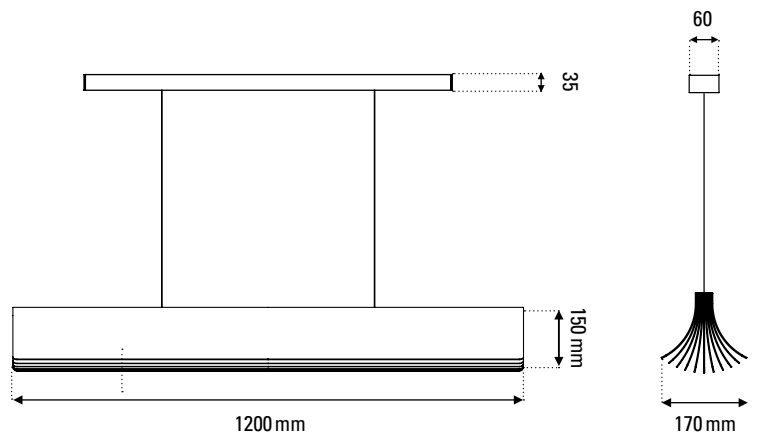
**Gold — Gold**  
Or — Or

**White — Gold**  
Blanc — Or

BL — GOL

GOL — GOL

WH — GOL



# RESPIRO 1200

de Philippe Nigro

## FICHE TECHNIQUE

## TECHNICAL SHEET



SUSPENSION

CEILING LAMP

<b>Matériaux</b> Material	<b>Aluminium anodisé</b> Anodized aluminum	<b>Maximum watt</b> Watt max	<b>34 W</b>	<b>Efficacité</b> Efficiency	<b>100 Lm/W</b>
<b>Poids</b> Weight	<b>5 kg</b>	<b>Tension</b> Voltage	<b>230V</b>	<b>Gradable</b> Dimmable	<b>TRIAC</b>
<b>Dimensions</b> Main dimensions	<b>150 × 170 × 1200 mm</b>	<b>IP</b> IP	<b>20</b>	<b>Driver</b> Driver	<b>Letaron 18-49V 700mA</b>
<b>Dimensions emballage</b> Packaging dimensions	<b>1320 × 270 × 270 mm</b>	<b>Durée de vie LED</b> Lifespan of LED	<b>&gt; 50 000 heures</b> > 50 000 hours	<b>IRC</b> CRI	<b>85</b>
<b>Classe</b> Class	<b>1</b>	<b>Température de couleur</b> Color Temperature	<b>2700 K</b>		
<b>Type d'ampoule</b> Bulb type	<b>LED intégrée</b> LED integrated	<b>Lumens</b> Lumens	<b>3400 Lm</b>		

### FINITIONS

### FINISHES



**Black — Gold**  
Noir — Or

BL — GOL



**Gold — Gold**  
Or — Or

GOL — GOL



**White — Gold**  
Blanc — Or

WH — GOL