

oda

by Sebastian Herkner
TABLE AND FLOOR LAMPS



A slender base hugs a bulbous form. An industrial motif softened by the gentle curves of handblown glass. The oda series of table and floor lights reference the stilted forms of silos, furnaces and water towers of a bygone age. A warm glow brings this industrially charged aesthetic into a softer interior setting.

YEAR OF DESIGN

2014

MATERIAL

handblown glass, coloured and steel

DIMENSIONS (mm)

ODA SMALL
Ø240 × 450 H
ODA MEDIUM
Ø450 × 850 H
ODA BIG
Ø450 × 1400 H

PROCESS

Each piece is created from coloured handblown glass. The frame is constructed in either steel; powder coated or chrome plated, or brass. Bubbles, streaks and other variations in size and colour are part of the production process, and not defects of the design or production.

COLOURS + ART. NR



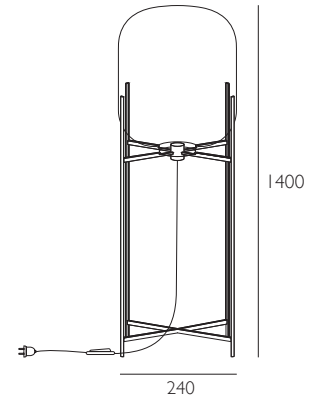
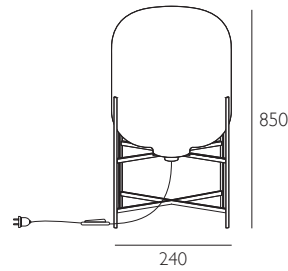
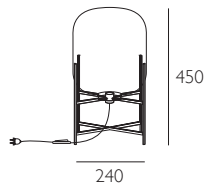
SHADE	amber black	aubergine black	aubergine brass	aubergine chrome	moonlight white black
BASE					
SMALL	3060AS	3060AUBS	3060AUBBR	3060AUBCHR	3060MLS
MEDIUM	3030AS	3030AUBS	3030AUBBR	3030AUBCHR	3030MLS
BIG	3050AS	3050AUBS	3050AUBBR	3050AUBCHR	3050MLS



SHADE	moonlight white white	smoky grey black	smoky grey brass	smoky grey chrome	smoky grey acetato black
BASE					
SMALL	3060MLW	3060GS	3060GBR	3060GCHR	3060GACS
MEDIUM	3030MLW	3030GS	3030GBR	3030GCHR	3030GACS
BIG	3050MLW	3050GS	3050GBR	3050GCHR	3050GACS



SHADE	smoky grey acetato brass	smoky grey acetato chrome	white black	white white
BASE				
SMALL	3060GACBR	3060GACCHR	3060WS	3060WW
MEDIUM	3030GACBR	3030GACCHR	3030WS	3030WW
BIG	3050GACBR	3050GACCHR	3050WS	3050WW



oda small TABLE LAMP

BASE

steel, half-round tube Ø8 mm,
powder coated, chrome plated or brass

SHADE

handblown glass, coloured

CABLE

textile, 3000 mm with hand switch
and Euro-plug

DIMENSIONS (mm)

Ø240 × 450 H

LIGHT SOURCE

Bulb: LED filament
Bulb fitting: E14 240 Volt
Dimensions (mm): Ø39 × 103 H
Power consumption: 1 Watt
Voltage (V): 220–240; 50/60 Hz
Lifetime: 30 000 h
Radiation angle: 360°
Colour temperature: 2500 K
Lumen: 105 lm
Finish: warm white



UL Version
LED Filament fully dimmable
2.5W/120V
E12, 2200 K

oda medium FLOOR LAMP

BASE

steel, half-round tube Ø16 mm,
powder coated, chrome plated or brass

SHADE

handblown glass, coloured

CABLE

textile, 4000 mm with foot switch
and Euro-plug

DIMENSIONS (mm)

Ø450 × 850 H

LIGHT SOURCE

Bulb: LED filament dimmable
Bulb fitting: E27 240 Volt
Dimensions (mm): Ø64 × 142 H
Power consumption: 2 Watt
Voltage (V): 220–240; 50/60 Hz
Lifetime: 30 000 h
Radiation angle: 360°
Colour temperature: 2100 K
Lumen: 250 lm
Finish: warm white



UL Version
LED Filament fully dimmable
7W/120V
E26, 2200 K

oda big FLOOR LAMP

BASE

steel, half-round tube Ø16 mm,
powder coated, chrome plated or brass

SHADE

handblown glass, coloured

CABLE

textile, 4000 mm with foot switch
and Euro-plug

DIMENSIONS (mm)

Ø450 × 1400 H

LIGHT SOURCE

Bulb: LED filament dimmable
Bulb fitting: E27 240 Volt
Dimensions (mm): Ø64 × 142 H
Power consumption: 2 Watt
Voltage (V): 220–240; 50/60 Hz
Lifetime: 30 000 h
Radiation angle: 360°
Colour temperature: 2100 K
Lumen: 250 lm
Finish: warm white



UL Version
LED Filament fully dimmable
8.5W/120V
fully dimmable E26, 2700 K

CARE INSTRUCTIONS

Regular cleaning and maintenance is important in order to keep your pulpo product looking its best and to prolong its life. Always remove any kind of dirt as soon as possible. We recommend that you first test a small, invisible area to ensure that no colour change or damage arises to the product. Do not use materials for maintenance that contain abrasive agents or are basic, acid or organic.

METAL CLEANING

STEEL POWDER COATED, STEEL CHROME PLATED AND BRASS

For dusting and light cleaning of the base, use a soft and dry cloth. For further cleaning, gently wipe the surface with a soft cloth wrung in clean water and a neutral detergent or soap flakes of good quality. Dry immediately afterwards with a soft, dry and clean cloth. For the best maintenance of the product, care for it regularly, protect it against direct sunlight and heat, and try to keep it away from moisture, grease, and other dirt. Furthermore, protect the surfaces against sharp objects and other that might scratch. Please note that brass may develop a patina over time. The darkening of the surface is due to oxidation. If left untreated, the surface will eventually turn entirely darker.

GLASS CLEANING

For dusting and light cleaning of glass use a soft, dry cloth. For further cleaning gently wipe the surface with a soft cloth wrung in clean water and a non-abrasive commercial glass cleaner. Dry immediately afterwards with a soft, dry and clean cloth. Please note that bubbles, streaks and other variations in size and colour are part of the production process, and not defects of the design or production of handmade glass.