

MY CHAIR



Effortless and timeless, Nicholai Wiig Hansen's My Chair from 2013 is as close as it gets to a new classic: a minimal chair in molded veneer that moves gently with the body. The rounded corners and curved waist counterbalance the stringent design of the chair and give it a warm and welcoming feel. Due to its harmonious silhouette, My Chair compliments most settings and can be multiplied without taking over the interior.





My Chair Series

DESCRIPTION

With My Chair, designer Nicholai Wiig Hansen has reinterpreted the classic shell chair, adding a striking elegance and harmony. The rounded corners and curved waist counterbalance the stringent design of the chair and give it a warm and welcoming feel.

DESIGN

Nicholai Wiig Hansen, 2013

MATERIAL

Wood Shell Version

Shell: Lacquered Veneer (Birch, Oak or Walnut) / Painted and Lacquered Oak Veneer (Smoked Oak) / Painted and Lacquered Ash Veneer
Legs: Lacquered Veneer (Birch, Oak or Walnut) / Painted and Lacquered Oak Veneer (Smoked Oak) / Painted and Lacquered Ash Veneer / Chrome / Powder Coated Steel

Front Upholstery Version

Shell: Lacquered Veneer (Birch, Oak or Walnut) / Painted and Lacquered Oak Veneer (Smoked Oak) / Painted and Lacquered Ash Veneer
Upholstery: PU Foam with Front Upholstery
Legs: Lacquered Veneer (Birch, Oak or Walnut) / Painted and Lacquered Oak Veneer (Smoked Oak) / Painted and Lacquered Ash Veneer / Chrome / Powder Coated Steel

Full Upholstery Version

Shell: Birch Veneer
Upholstery: PU Foam with Full Upholstery
Legs: Lacquered Veneer (Birch, Oak or Walnut) / Painted and Lacquered Oak Veneer (Smoked Oak) / Painted and Lacquered Ash Veneer / Chrome / Powder Coated Steel

CONSTRUCTION

My Chair Dining version with chrome and steel legs are stackble, up to 6 pcs. The chair is delivered assembled. For the versions in wood and front upholstery, the shell and back shell material always match the legs material e.g. both shell and legs come in lacquered oak veneer. My Chair barstool is delivered with a chrome foot support. Black foot support is available upon request.

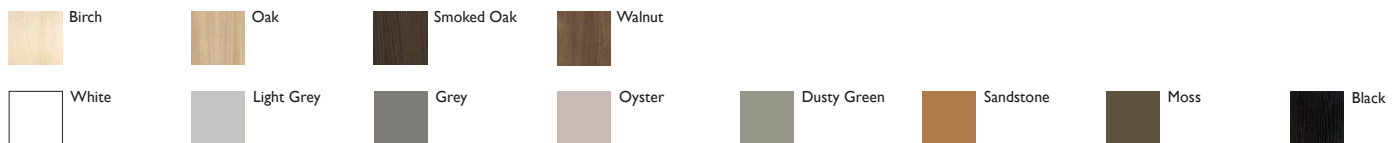
TEST

My Chair Steel
EN 1022:2005 and EN 16139:2013. Level I

ACCESSORIES

Comes with plastic (PE) gliders

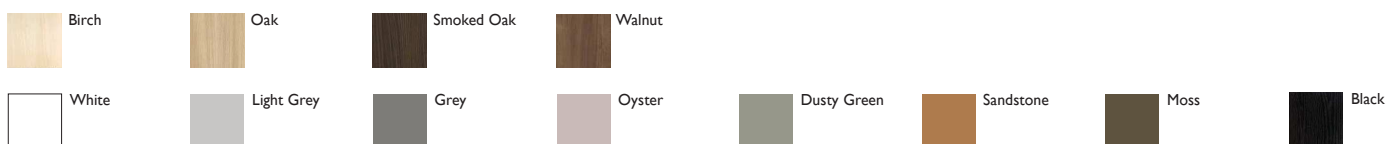
SHELL



FRONT UPHOLSTERY



BACK SHELL



FULL UPHOLSTERY



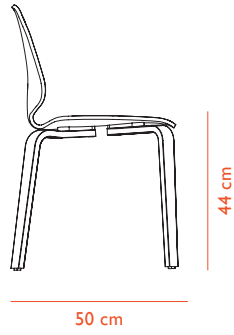
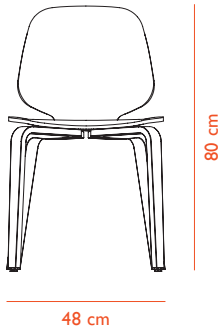
LEGS



My Chair Wood

My Chair Steel

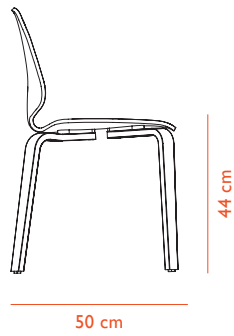
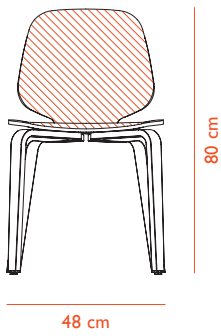
WOOD SHELL



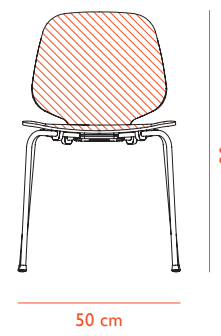
WOOD SHELL



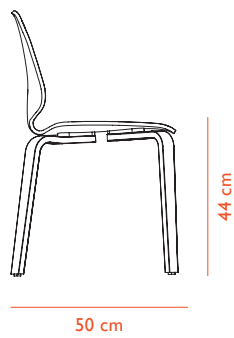
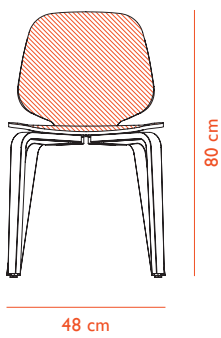
FRONT UPHOLSTERY



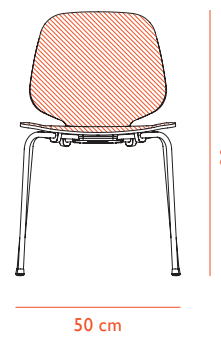
FRONT UPHOLSTERY



FULL UPHOLSTERY



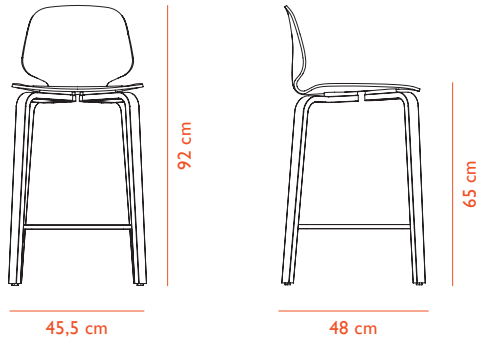
FULL UPHOLSTERY



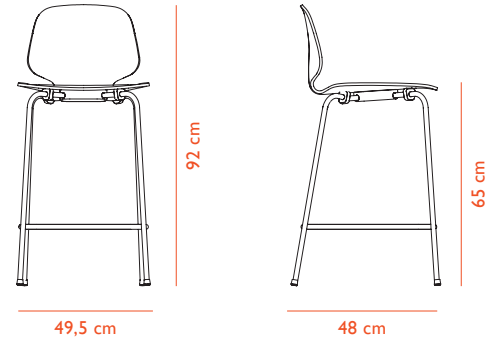
My Chair Barstool Wood 65 cm

My Chair Barstool Steel 65 cm

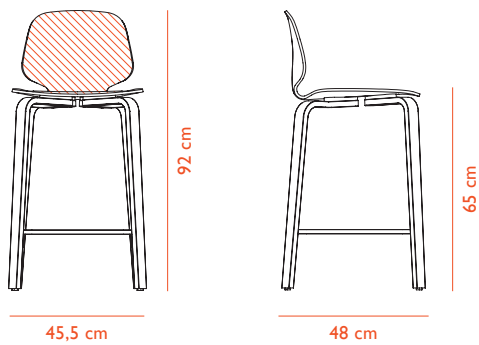
WOOD SHELL



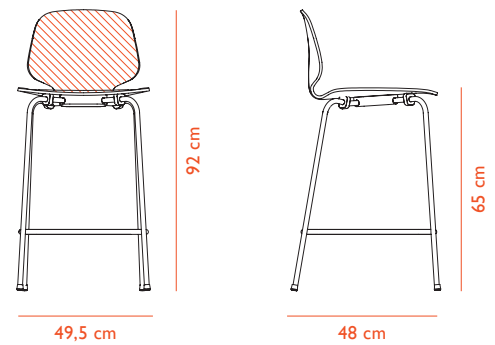
WOOD SHELL



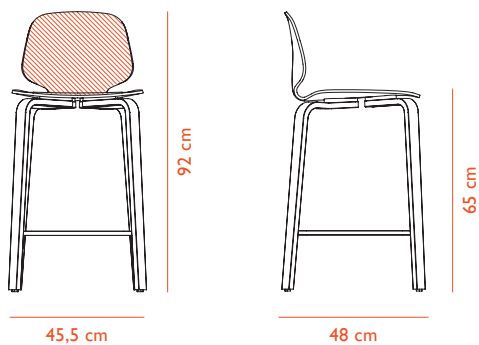
FRONT UPHOLSTERY



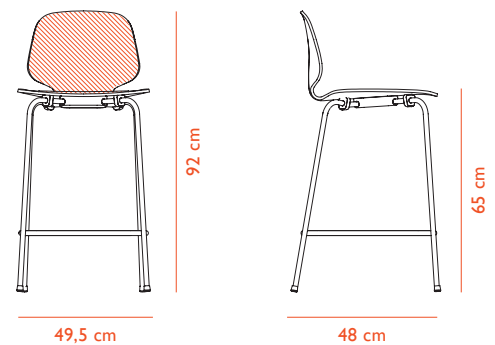
FRONT UPHOLSTERY



FULL UPHOLSTERY



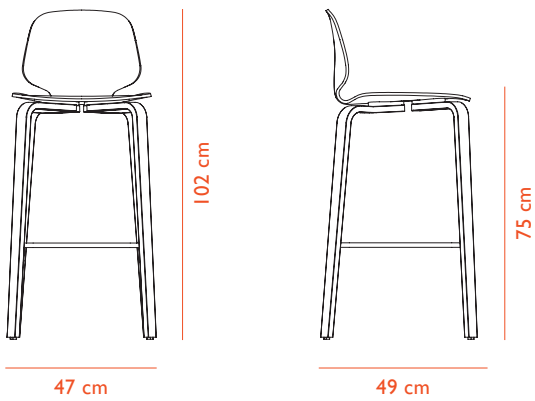
FULL UPHOLSTERY



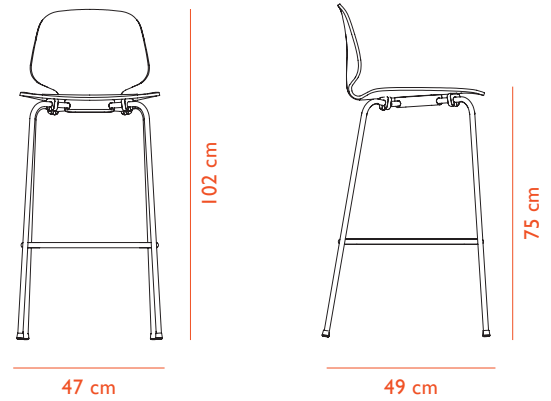
My Chair Barstool Wood 75 cm

My Chair Barstool Steel 75 cm

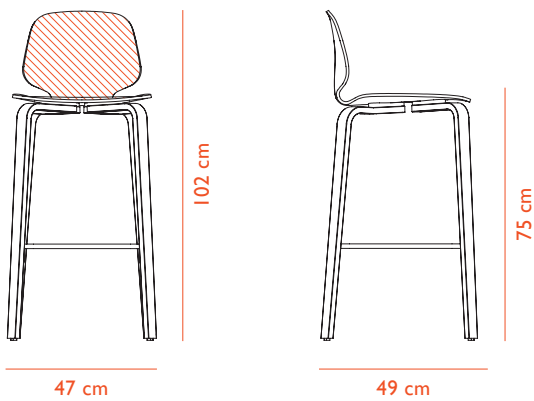
WOOD SHELL



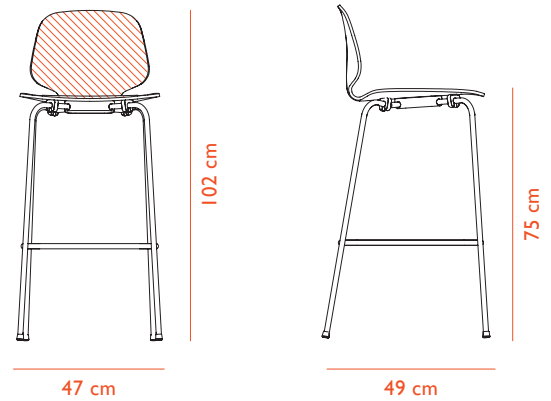
WOOD SHELL



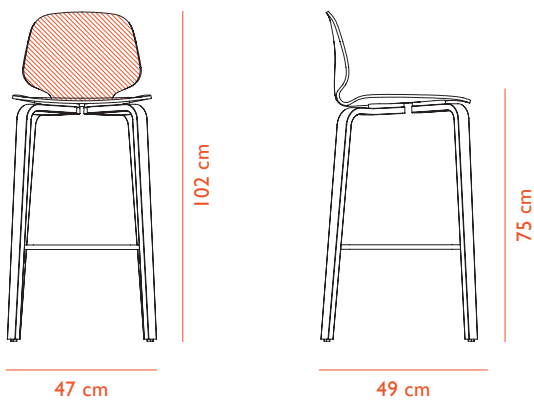
FRONT UPHOLSTERY



FRONT UPHOLSTERY



FULL UPHOLSTERY



FULL UPHOLSTERY

